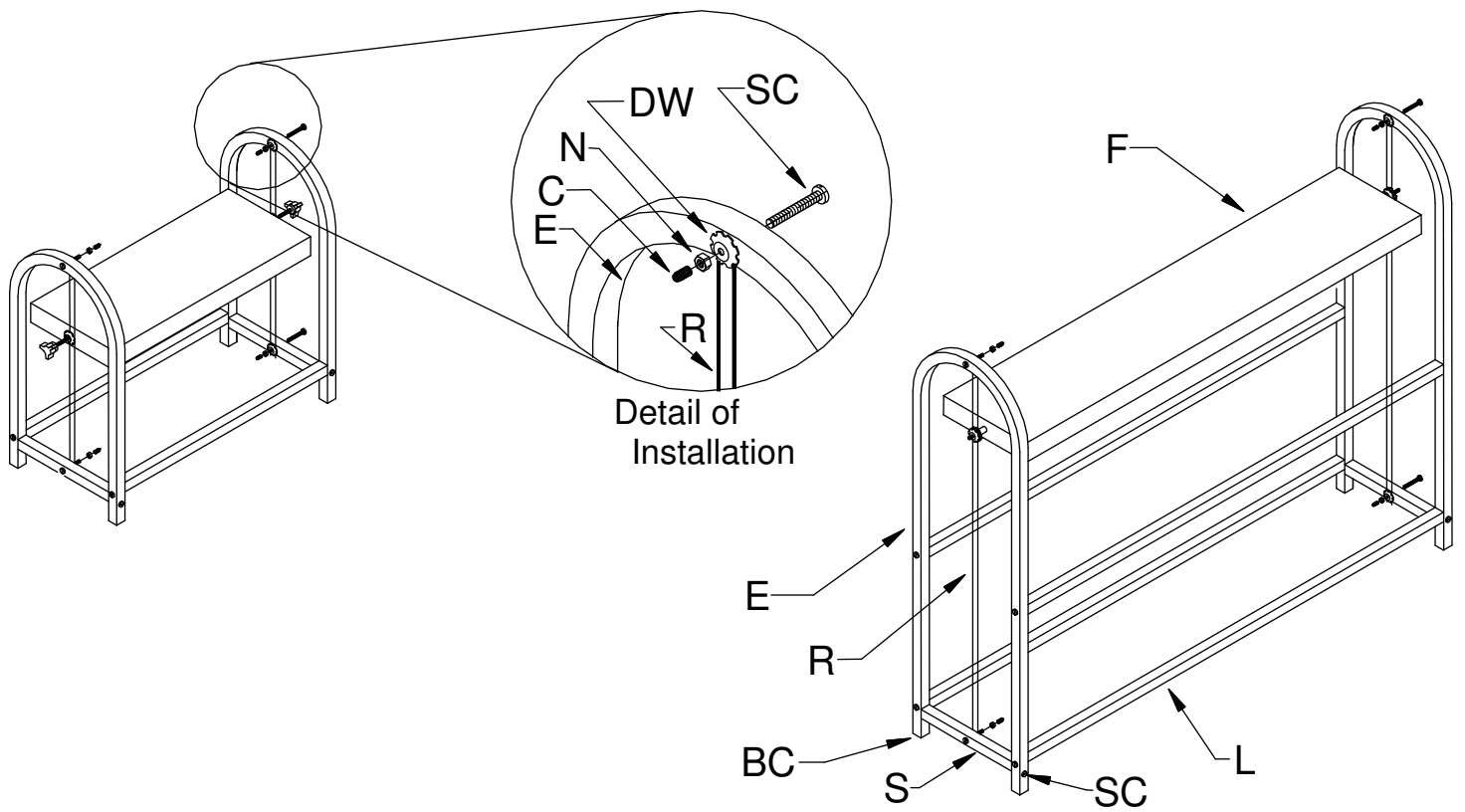


ASSEMBLY INSTRUCTIONS

CODE	PART	QTY	QTY	QTY	QTY
		1 tray	2 tray	2 tray up	4 tray
BAG KIT					
BC	Black caps	4	4	4	4
N	Nuts	4	4	4	4
SC	Screws	12	12	16	16
C	Screw cover	4	4	4	4
GC	Ground cord	1	1	1	1
DW	Domed washer	4	4	4	4
STAND PARTS					
F	Fixtures	1	1	2	2
P	Plant trays	1	2	2	4
R	Slide rods	2	2	2	2
S	Short pieces with hole	2	2	2	2
L	Shelf supports	2	2	4	4
E	End frames	2	2	2	2

1. Assemble short pieces **S** between bottom of end frame **E** using the screws **SC**, keeping all holes facing the same direction (outside to inside--not up to down). Repeat this step on other end frame **E**.
2. Insert a screw **SC** in top hole of end frame **E** Hang the slide rods **R** over screw. Put a domed washer **DW** on screw with indented side towards the slide rod. Screw on the nut **N**, and tighten. Place a screw cover **C** on the end of the screw.
3. Place another screw **SC** through hole on the bottom piece and through the middle of the slide rod **R**.
4. Put a domed washer **DW** on the screw with indented side towards the slide rod, **R** then screw on a nut **N**. Place a screw cover **C** on the end of the screw. Repeat steps 2-4 for other rod.
5. Place black caps in the bottom of the end frames **E**.
6. Place a screw **SC** through the hole of the end frames **E** and then into the end of the shelf support **L** making sure the shelf support **L** is on the same side as the slide rods **R**, (this should be on the inside of the unit when finished) and tighten with a flat head screwdriver. Repeat this step for the rest of the shelf supports **L**.
7. Place plant trays **P** on the shelves.
8. Remove the tubes from the fixture(s) before installing.
9. On the 2 and 4 tray only, place one domed washer **DW** on fixture stud with the indented side towards slide rod. NOTE Washers are already on fixtures.
10. Adjust the fixture(s) to desired height and tighten knobs **SECURELY**. (Important adjusting fixtures more than 6" per side at once may cause fixture to bend.)



CODE	PART
BC	BLACK CAPS
C	SCREW COVER
DW	DOMED WASHER
E	END FRAME
L	SHELF SUPPORT
R	SLIDE ROD
S	SHORT PIECE WITH HOLE
SC	SCREW

To Prevent Electrical Shock: Connect the eyelet of the enclosed ground cord to any bolt head. The other end should be connected to a ground point such as a water pipe or center screw of a grounded outlet. Please disconnect fixtures when watering plants.